

TECHNICAL SPECIFICATION

GARDEN LIGHTING

GRF968 LED



Technical data

Nominal voltage:	230V
	50-60Hz
Power of the light source:	6W
Lumens [whole fixture]:	480lm
Colour temperature:	4000-4300K
Case	Aluminium
Diffuser:	Polycarbonate (PC)
Body Colour	Dark grey
Colour rendering index:	Ra≥80
LED driver:	Mounted in the body
Switch on/off:	> 15 000
Average Lifetime:	30 000h
Operating temperature:	20° ÷ + 65°C
Dust and humidity protection level:	IP65
Protection against electric shock:	I
Surface requirements:	Class F
Type Installation:	Surface mounting

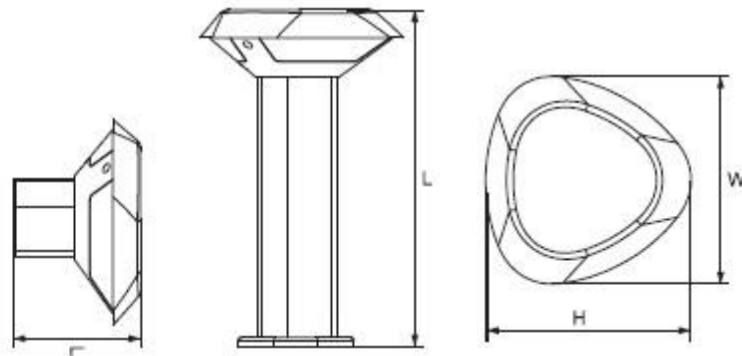
Areas of application

- Suitable for outdoor use
- Gardens
- Parks

Product benefits

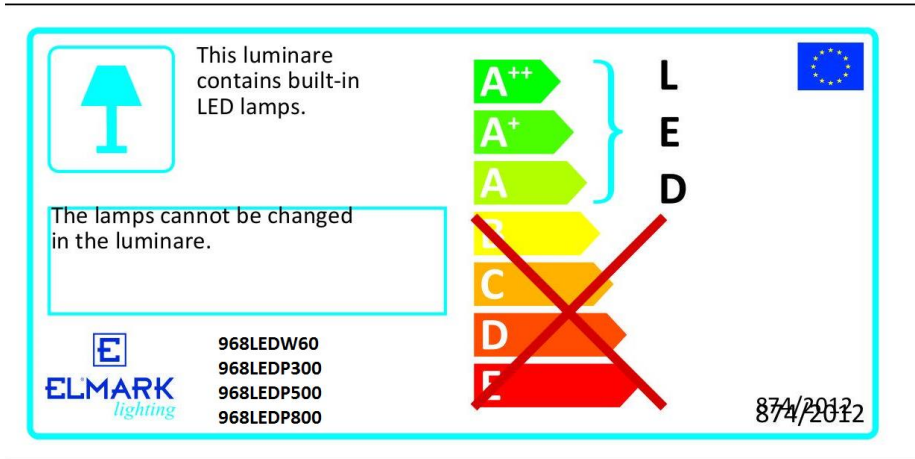
- Low power consumption
- Repeated switch on/off does not affect the lifespan
- Instant light with maximum luminous flux
- Environmentally friendly - no mercury and lead
- No ultraviolet and infrared rays
- Resistant to shock and vibration-free body
- Low heat emission

Variants and dimensions



Model	Whole fixture lumens (lm)	Colour temp. (K)	Colour body	Size			Catalogue number	Packing (pcs)
				L	W	H		
GRF968-W LED	480	4000-4300	dark grey	115	186	183	968LEDW60	12
GRF968-30 LED	480	4000-4300	dark grey	300	186	183	968LEDP300	8
GRF968-50 LED	480	4000-4300	dark grey	500	186	183	968LEDP500	4
GRF968-80 LED	480	4000-4300	dark grey	800	186	183	968LEDP800	4

Energy efficiency



Barcodes

Barcode	Catalogue number
3800131186348	968LEDW60
3800131186355	968LEDP300
3800131186362	968LEDP500
3800131186379	968LEDP800

Standards

EN 55015

EN 61000-3-2; EN 61000-3-3

EN 61547

EN 60598-1; EN 60598-2-2

